

Industry: Health

# UV Pro V300



**Ventilating air disinfection unit - a system without compromises**

**UVpro V300 ventilating air disinfection units are ideal for subsequent installation and reliable disinfection of any areas in the industrial food production up to 300m<sup>3</sup>/h. Optional available with a corrosion-resistant reflector.**

- easy installation, also subsequently
- for laboratories, surgeries and small production facilities
- excellent price-performance ratio

## A SYSTEM WITHOUT COMPROMISE

The UVpro air recirculation disinfectors have a simple design, work independently and can be mounted in every kind of room, also subsequently. This device series has been specially developed to eliminate even resistant germs and mould spores in laboratories, cold stores, production rooms and warehouses. Due to the optimized whirling technique, 99% of the bacteria are killed in a single pass at a high UV dose. For cleaning and maintenance purposes, the devices can be easily opened, even without tools.

## HANG, PLUG IN, DISINFECT

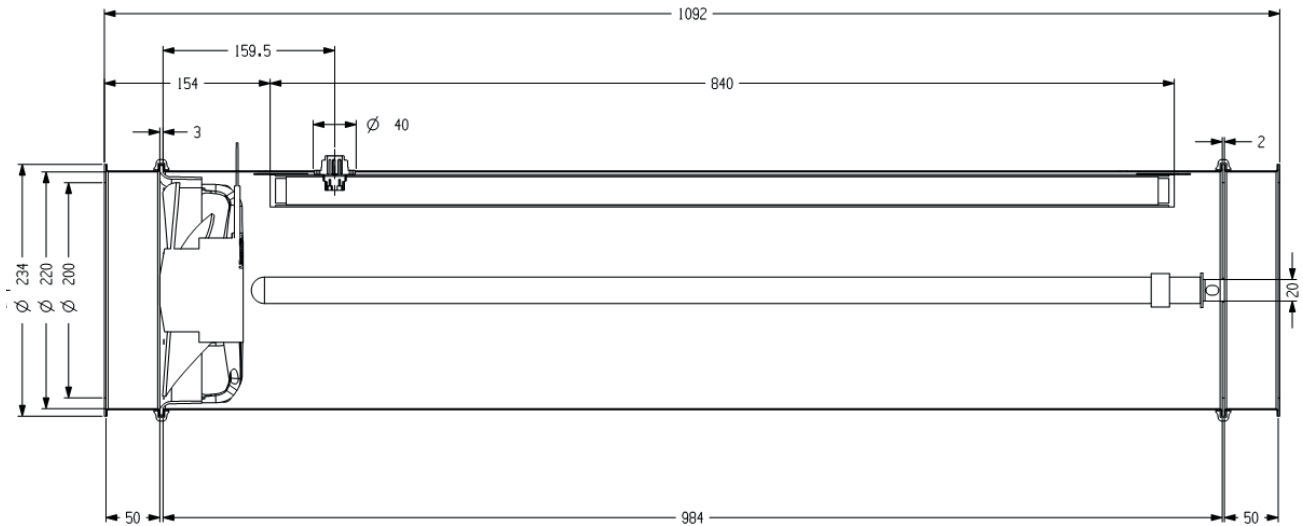
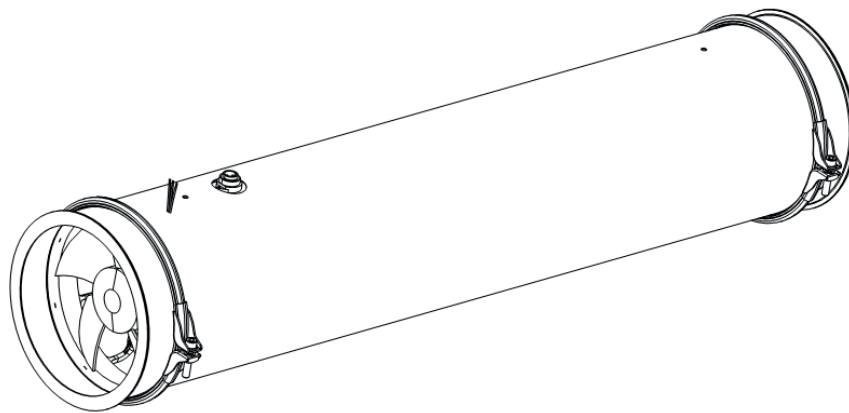
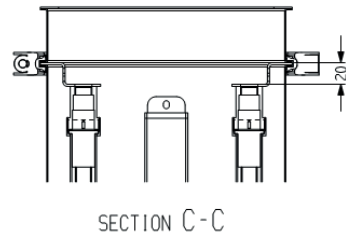
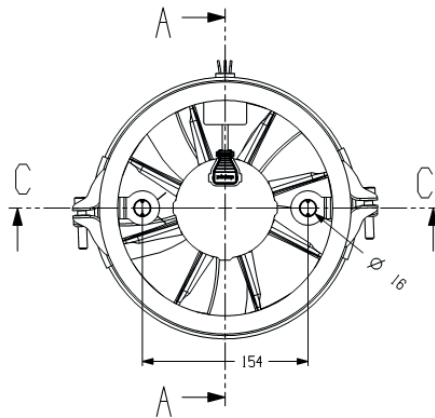
- very high UVC doses due to optimized whirling technique;
- inactivates 99% of bacteria and viruses in a single pass;
- hygienic Design prevents germ deposits made of stainless steel, equipped with non-corrosive PTFE reflector;
- suitable for damp areas and temperatures between -10 to +50°C due to special tubes;
- modular and compact for easy maintenance;
- a visual protection ensures occupational safety.

## TECHNICAL SPECIFICATIONS

Type	UVpro V300
In conformity with requirements	EMC, CE, IP51
Material	stainless steel: WN 1.4301 and WN 1.4305
Operating temperature [°C]	0...+40
Input power [W]	92
Current flow [mA]	395
Suitable UVpro tube	<b>UVpro K(T)36-2/-4</b> (2 tubes à 41W)
Total UVC output [W <sub>253,7 nm</sub> ]	28
Air volume [m <sup>3</sup> /h]	250
Noise emission [dB]	41
Mount	2 eyelets for chain attachment
Size (L x Ø) [mm]	1092 x 234
Weight [kg]	14.5
Tube replacement interval [h]	12,000 (75 % $\pm 5\%$ output performance)
Life expectancy electronics	> 10 years
Supply voltage [V <sub>AC</sub> ]	220...240 (50...60 Hz)
Power cable length [m]	5 (length customisable)

Technical changes reserved

## TECHNICAL DRAWINGS



## SCOPE OF APPLICATION

- industrial food production cold stores, warehouses and ripening rooms for production facilities and packaging machines;
- Laboratories and tasting rooms.



**S P E C T R A**

**PROFESSIONAL UV SOLUTIONS**

Str. Zizinului, Nr. 110, 500407, Braşov, România  
[www.spectra.ro](http://www.spectra.ro) / [contact@spectra.ro](mailto:contact@spectra.ro) / (+40) 0770-187-379  
SPECTRA is a trademark of AKRO