

Industry: Food & Beverage

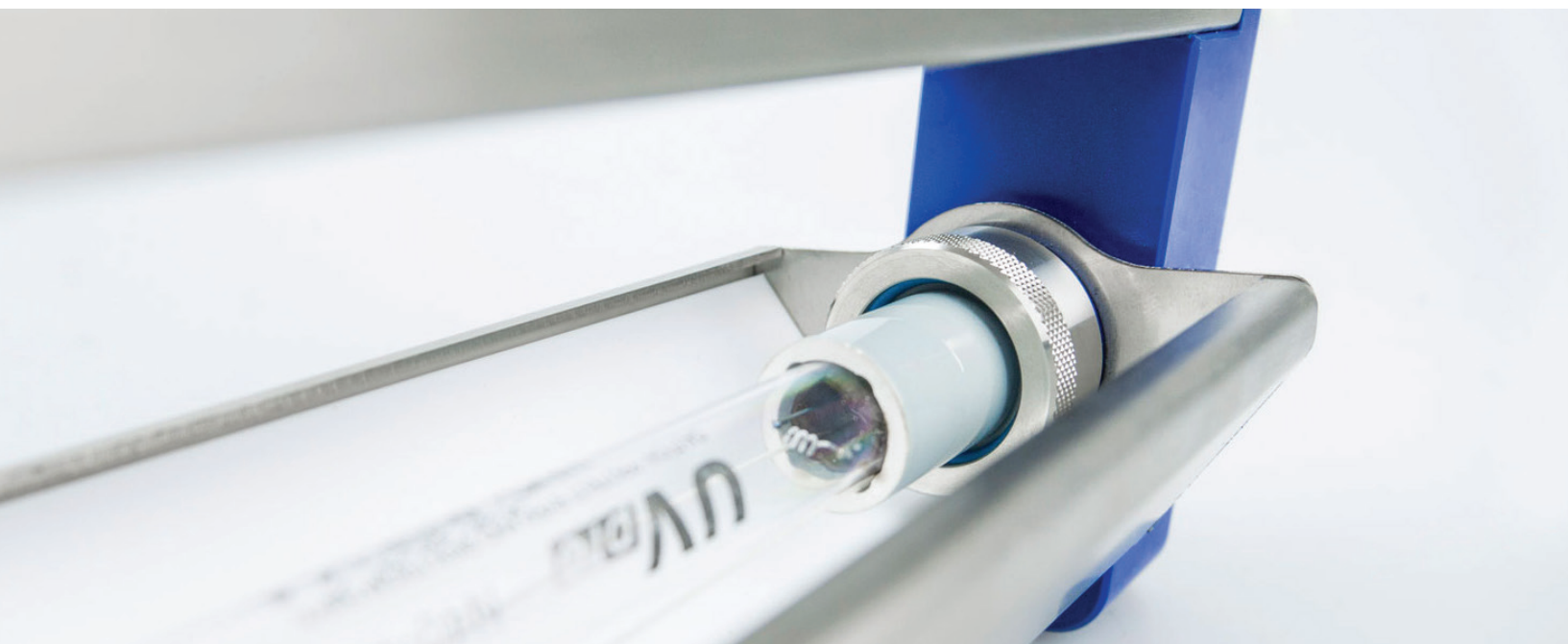
UV Pro WDS



**Wall and ceiling emitter
- air disinfection,
effective and reliable**

UVpro WDS wall and ceiling radiator are ideal for reliable air disinfection. During work day, the reflector provides visibility protection against UVC radiation. Out of working hours (e.g. at night), the reflector can be rotated in order to disinfect the whole room and all surfaces. Available with aluminium reflector or Teflon reflector for damp areas or wet cleaned production rooms.

- for labs, doctors' offices, cooling and storage rooms
- for air and surface disinfection
- 360° rotating visual protector with a reflector

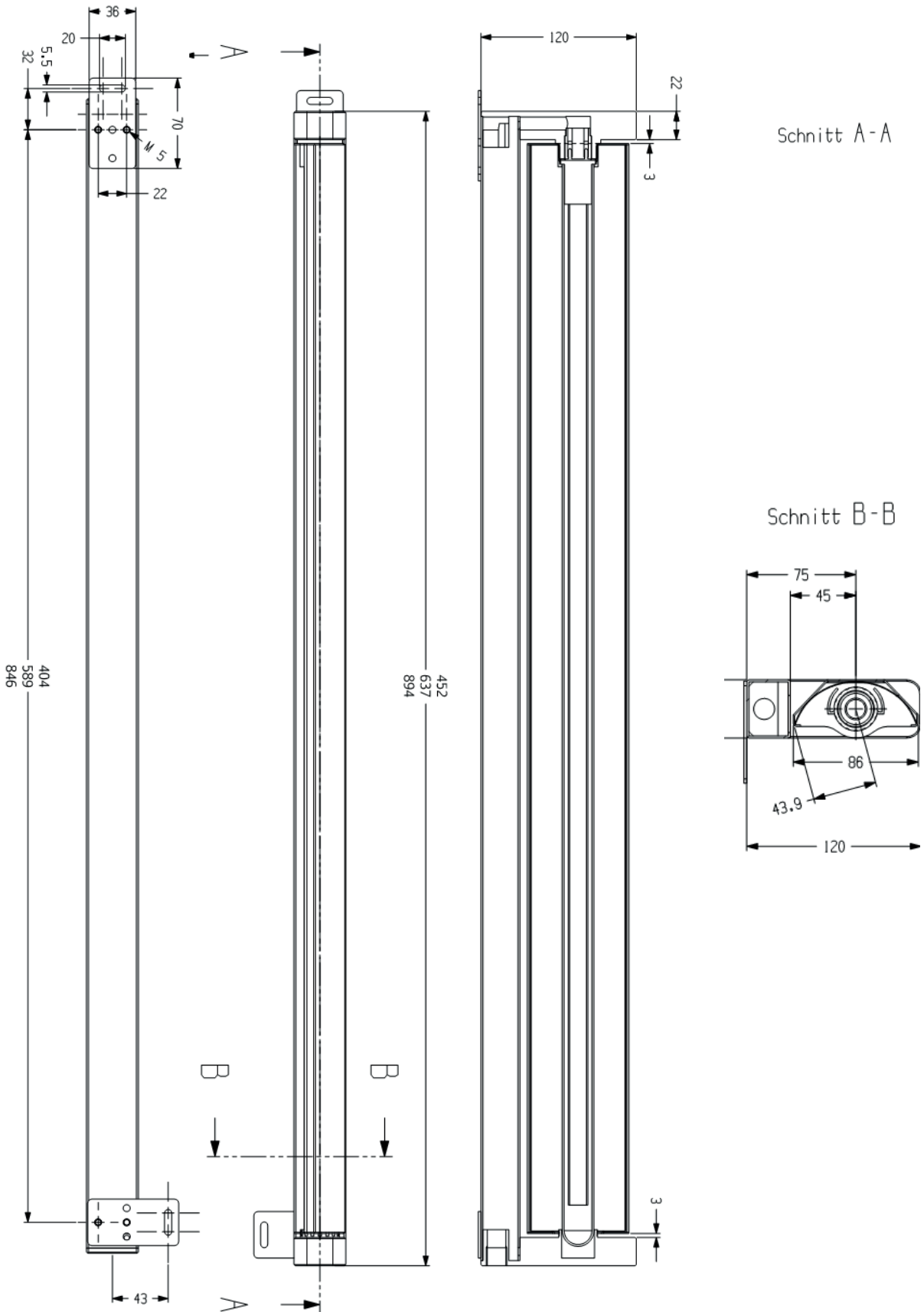


TECHNICAL SPECIFICATIONS

Short name	UVpro WDS					
In conformity with requirements	EMV, CE, IP52					
Material	stainless steel: WN 1.4301 & WN 1.4305, POM, aluminium/PTFE Virginal					
Type	UVpro WDS 20		UVpro WDS 30		UVpro WDS 40	
Input power [W]	21		31		41	
Current flow [mA]	110		145		195	
Operating temperature [°C]	-10...+20	+20...+40	-10...+20	+20...+40	-10...+20	+20...+40
Suitable UVpro tube	UVpro K(T)20-2/-4	UVpro N(T)20-2/-4	UVpro K(T)30-2/-4	UVpro N(T)30-2/-4	UVpro K(T)36-2/-4	UVpro N(T)36-2/-4
Total UVC output [W _{253,7 nm}]	7	7,5	11	11,8	16	17
Tube intensity at 1 m [μ W/cm ²]	65	70	95	102	150	160
Size (L x W x H) [mm]	452 x 40 x 120 (bzw. 452 x 86 x 120)		637 x 40 x 120 (bzw. 637 x 86 x 120)		894 x 40 x 120 (bzw. 894 x 86 x 120)	
Weight[kg]	~3		~3,5		~4	
Tube replacement interval [h]	12.000 (75 % \pm 5 % output performance)					
Life expectancy electronics	> 10 years					
Supply voltage [V _{AC}]	220...240 (50...60 Hz)					
Power cable length [m]	3,5 (length customisable)					

technical changes reserved

TECHNICAL DRAWINGS





S P E C T R A

PROFESSIONAL UV SOLUTIONS

Str. Zizinului, Nr. 110, 500407, Braşov, România
www.spectra.ro / contact@spectra.ro / (+40) 0770-187-379
SPECTRA is a trademark of AKRO